

PERFORMANCE DATA SHEET NEMA PREMIUM NR CAN NEMA 12 - 12

Catalogue #: **JMPP-56**

| HP | kW | Voltage | S.F. @ 60Hz | EFF. | P.F. | Frame | Design | L.R. Amps |
|----|-------|---------|-------------|-------|------|-------|--------|-----------|
| 40 | 29,84 | 575 | 1,25 | 92,4% | 0,9 | 324JM | B | 232 |

| 60 Hz | | | | | | | | |
|-------|-----|-----|-----|-----|------|-----|------|----------|
| FLA | | | | | | | Code | F.L. RPM |
| 208 | 230 | 416 | 460 | 480 | 575 | 600 | | |
| / | / | / | / | / | 36,4 | / | G | 3545 |

| 50 Hz | | | | | | | |
|-------|-----|-----|-------------|------------|--------------|------|----------|
| FLA | | | S.F. @ 50Hz | Efficiency | Power Factor | Code | F.L. RPM |
| 190 | 380 | 415 | | | | | |
| / | / | / | / | / | / | / | / |

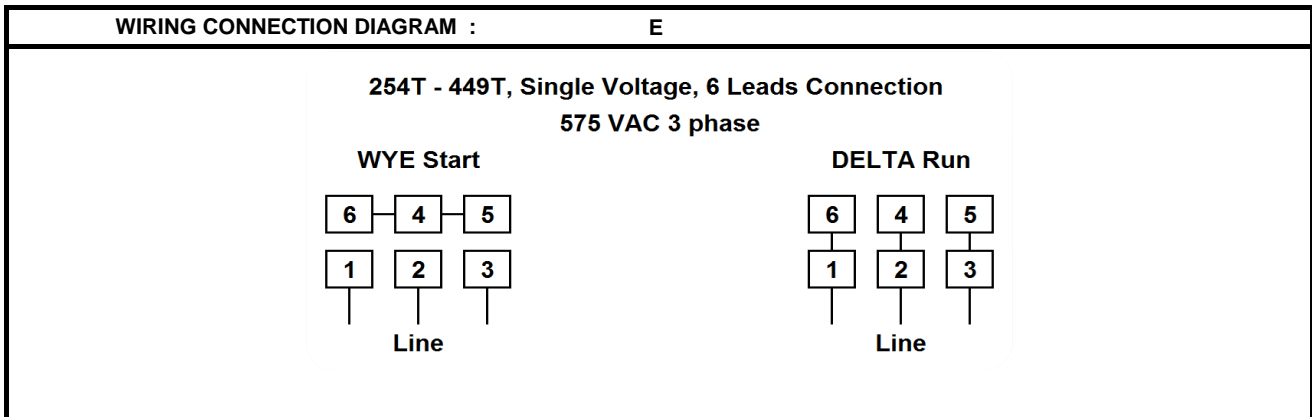
| Wgt. Lbs | PH | Duty | Insul. Class | Amb. | Elevation | Temp. Rise° C |
|----------|----|-------|--------------|------|-----------------|---------------|
| 510 | 3 | Cont. | F | 40°C | 1000M (3300 Ft) | 68 |

| % Efficiency | | % Power Factor | | Torque | | Winding Resist. Ω | Safe Cold Start (Secs) |
|--------------|-------|----------------|------|------------------|------|-------------------|------------------------|
| Full Load: | 92,4% | Full Load: | 0,90 | Full Load Ft/Lbs | 59,3 | | |
| 3/4 Load: | 93,1% | 3/4 Load: | 0,89 | Locked Rotor % | 180 | | |
| 1/2 Load: | 92,1% | 1/2 Load: | 0,83 | Break Down % | 280 | 0,3125 | 20 |

| Rotor Inertia Wk2 Lb-Ft2 | Max Load Inertia Wk2 Lb-Ft2 | Shaft Material | Frame Material | DE Bracket Type | ODE Bracket Type | Enclosure | NEMA Rating | Lead Wire Size |
|--------------------------|-----------------------------|----------------|----------------|-----------------|------------------|-----------|-------------|----------------|
| 3,08 | 54,6 | Standard | Cast Iron | Standard | Standard | TEFC | IP55 | 8AWG |

| Ball Bearings | | Grease | Mount Type | Orientation | Paint | Sound Pressure @ 3FT | Sound Power |
|---------------|------|-----------------|------------|-------------|-------|----------------------|-------------|
| DE | ODE | | | | | | |
| 6312 | 6312 | Mobil PolyrexEm | Rigid | Horizontal | Green | 89 | 100 |

| Inverter Duty. Motor meets MG1 parts 31.4.4.2 | Constant Torque Range | Variable Torque Range | Constant HP RPM |
|--|-----------------------|-----------------------|-----------------|
| | 10:1 | 20:1 | 5400 |

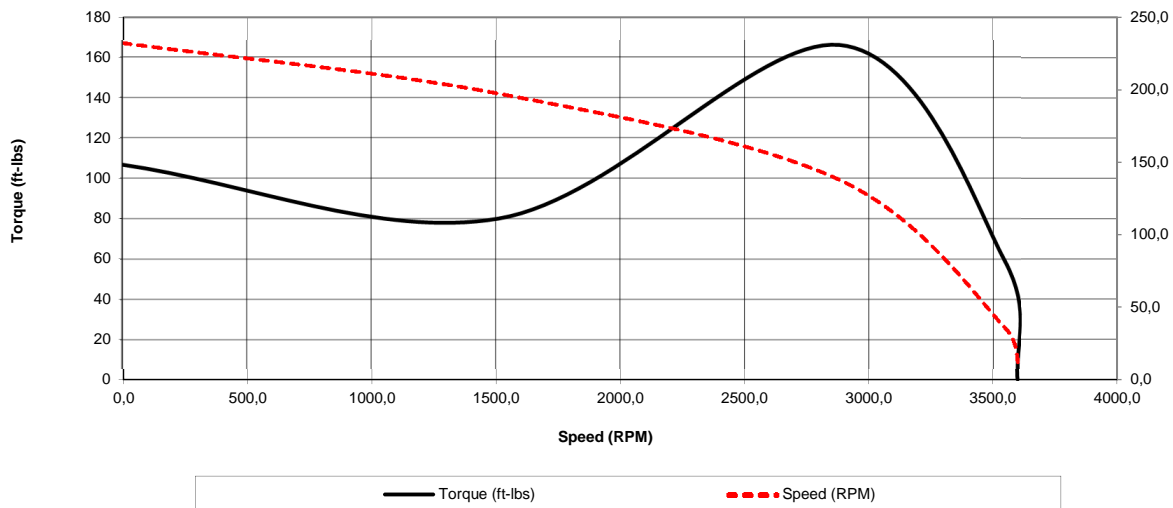


Date: 2020-04-02
 Customer: _____
 Contact: _____
 Submittee: J.C. Lavallée

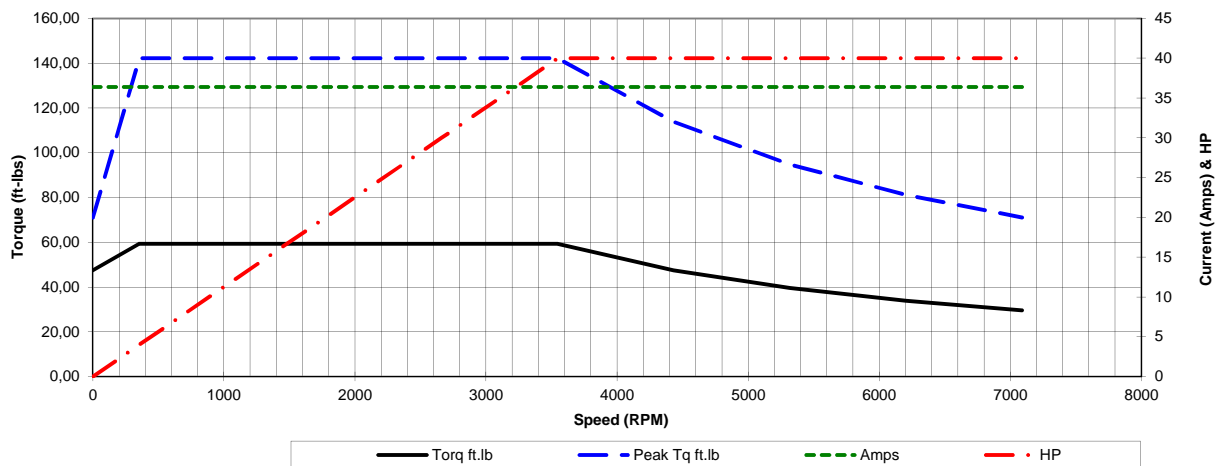
Catalogue #: **JMPP-56**

| NEMA PREMIUM NR CAN NEMA 12 - 12 | | | | | | | | | | |
|----------------------------------|--------------|---------|-----------|------------|-----------|--------------------------------------|---------|----------------|------------------|---------------|
| HP | VAC | RPM | Enclosure | Frame | Frequency | Design | Poles | LR Code Letter | Insulation Class | Temp. Rise °C |
| 40 | 575 | 3545 | TEFC | 324JM | 60 | B | 2 | G | F | 68 |
| | 0Hz | 6Hz | 15Hz | 30Hz | 45Hz | 60Hz | 75Hz | 90Hz | 105Hz | 120Hz |
| Amps | 36,4 | 36,4 | 36,4 | 36,4 | 36,4 | 36,4 | 36,4 | 36,4 | 36,4 | 36,4 |
| RPM | 0 | 354,5 | 886,25 | 1772,5 | 2658,75 | 3545 | 4431,25 | 5317,5 | 6203,75 | 7090 |
| Torq ft.lb | 47,41 | 59,26 | 59,26 | 59,26 | 59,26 | 59,26 | 47,41 | 39,51 | 33,86 | 29,63 |
| Peak Tq ft.lb | 71,11 | 142,23 | 142,23 | 142,23 | 142,23 | 142,23 | 113,78 | 94,82 | 81,27 | 71,11 |
| HP | 0 | 4,0 | 10,0 | 20,0 | 30,0 | 40,0 | 40,0 | 40,0 | 40,0 | 40,0 |
| | Locked Rotor | Pull-Up | Breakdown | Rated Load | Idle | Duty | S. F. | Ambient | Elevation | dBA @ 1M |
| Speed (RPM) | 0,0 | 1512 | 2880 | 3545 | 3600 | Continuous | 1,25 | 40°C | 3300 ft | 89 |
| Current (Amps) | 232,0 | 197,2 | 138,0 | 36,4 | 9,6 | VFD Rating: Meets MG1 parts 31.4.4.2 | | | | |
| Torque (ft-lbs) | 106,7 | 80,0 | 165,9 | 59,3 | 0,0 | C.T. | 10:1 | V.T. | 20:1 | |

Motor Speed Data



Motor Torque Capability vs RPM





Date: 2020-04-02
 Customer: _____
 Contact: _____
 Submittee: J.C. Lavallée

Catalogue #: **JMPP-56**

| NEMA PREMIUM NR CAN NEMA 12 - 12 | | | | | | | | | | |
|----------------------------------|---------------------|----------------|------------------|-------------------|-------------|---|--------------|----------------|------------------|-----------------|
| HP | VAC | RPM | Enclosure | Frame | Frequency | Design | Poles | LR Code Letter | Insulation Class | Temp. Rise °C |
| 40 | 575 | 3545 | TEFC | 324JM | 60 | B | 2 | G | F | 68 |
| Load % | 0% | 25% | 50% | 75% | 100% | 125% | 150% | | | |
| Amps | 9,60 | 12,70 | 19,80 | 27,80 | 36,40 | 46,32 | 56,62 | | | |
| Torq ft/lbs | 0 | 14,72 | 29,50 | 44,48 | 59,44 | 74,57 | 89,91 | | | |
| RPM | 0 | 3586,25 | 3572,5 | 3558,75 | 3545 | 3531,25 | 3517,5 | | | |
| Eff | 0 | 87,12 | 92,10 | 93,10 | 92,40 | 92,40 | 92,40 | | | |
| PF | 0 | 67,7 | 83,3 | 88,8 | 90 | 87,5 | 85,9 | | | |
| | Locked Rotor | Pull-Up | Breakdown | Rated Load | Idle | Duty | S. F. | Ambient | Elevation | dBA @ 1M |
| Speed (RPM) | 0 | 1512 | 2880 | 3545 | 3600 | Continuous | 1,25 | 40°C | 3300 ft | 89 |
| Current (Amps) | 232 | 197,2 | 138,0 | 36,4 | 9,6 | VFD Rating: Meets MG1 parts 31.4.4.2 | | | | |
| Torque (ft-lbs) | 106,67 | 80,00 | 165,93 | 59,26 | 0,0 | C.T. | 10:1 | V.T. | 20:1 | |

